

KA 34-BSY+ Set drive



G 503007



B 08 11 22802 026



Find out about permission details from your D+H Partner

Performance features

- » Can be used for openings for smoke exhaust; D+H Euro SHEV in accordance with EN 12101-2; and for daily ventilation
- » With integrated BSY+ motor and synchronised electronics controlled via microprocessor
- » High-speed function (HS) for especially fast opening windows in case of fire (SHEV)
- » Option of up to 8 drives in one synchronous group
- » Supply and signals at KA 34-BSY+ for up to 3 drives can be looped in series
- » Special chain stabilisation
- » Relief of pressure on window gasket after closing process
- » Programmable drive functions and different drive parameters
- » Running speed in CLOSED direction decreases to 5 mm/s (passive closing edge protection)
- » Time-controlled reversing when an obstacle is detected in the CLOSED direction (active closing edge protection)

Accessories

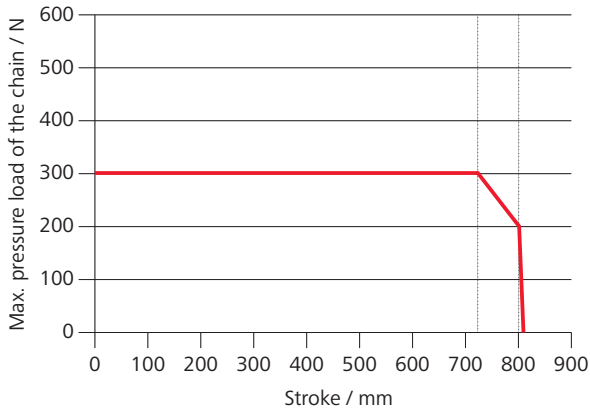
Brackets



Cables



Pressure load diagram

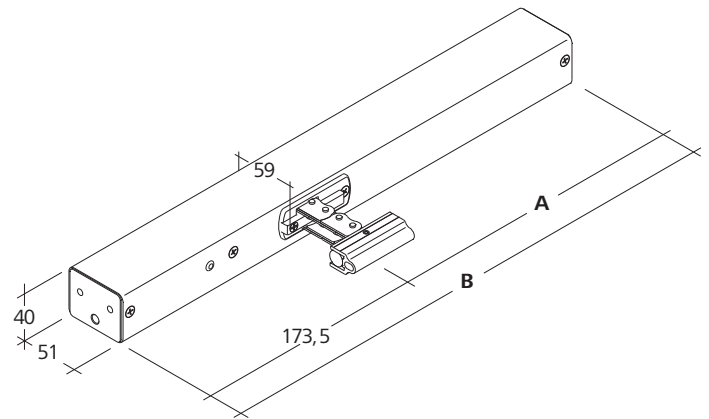


Technical data *

Supply	24 V DC / ± 15 % / 1 A
Duty cycle	30 %
Force of pressure	300 N
Tensile force	300 N
Nominal locking force	2000 N
Service life	> 10000 double strokes
OPEN running speed	11.8 mm/s
OPEN running speed - SHEV	12.2 mm/s
CLOSED running speed	11.8 mm/s
Type of protection	IP 32
Temperature range	-5 °C ... +75 °C
Fire resistance	B300 (30 min/300 °C)
Housing	Aluminium
Surface	Powder-coated
Colour	White aluminium (~ RAL 9006)
Connection	2.5 m silicone-cable

*Specification per drive

Dimensions



All specifications in mm

Design

Type	Art. No.	Stroke	Dimension A	Dimension B	Weight	Remark
KA 34/350-BSY+ Set	26.010.10	350 mm	247.5 mm	421 mm	1.60 kg	Standard + "-L" drive
KA 34/500-BSY+ Set	26.010.15	500 mm	322.5 mm	496 mm	1.90 kg	Standard + "-L" drive
KA 34/600-BSY+ Set	26.010.20	600 mm	372.5 mm	546 mm	2.20 kg	Standard + "-L" drive
KA 34/700-BSY+ Set	26.010.25	700 mm	422.5 mm	596 mm	2.40 kg	Standard + "-L" drive
KA 34/800-BSY+ Set	26.010.30	800 mm	472.5 mm	646 mm	2.60 kg	Standard + "-L" drive
KA 34/1000-BSY+ Set	26.010.35	1000 mm	576.5 mm	750 mm	3.00 kg	Standard + "-L" drive
KA-BSY+	26.010.00					Variable equipment possible

Weight per drive