

# KA 34-K drive



## Performance features

- » Can be used for openings for smoke exhaust; D+H Euro SHEV in accordance with EN 12101-2; and for daily ventilation
- » With motor electronics controlled via microprocessor
- » Direct control via 230 V AC
- » Special chain stabilisation
- » Relief of pressure on window gasket after closing process
- » Application tension stroke lengths > 1000 mm possible
- » Easy window control via 230 V AC ventilation button
- » Adjustable electronic closing force optimisation
- » Running speed in CLOSED direction decreases to 5 mm/s (passive closing edge protection)
- » Time-controlled reversing when an obstacle is detected in the CLOSED direction (active closing edge protection)

## Accessories

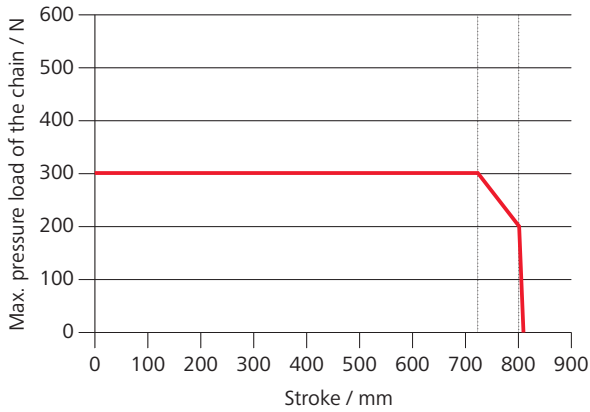
Brackets



Cables



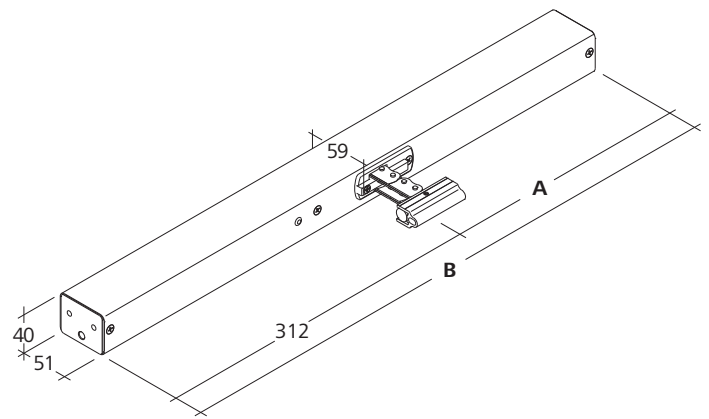
# Pressure load diagram



## Technical data

Supply	230 V AC / ± 15 % / 50 Hz
Performance	24 W / 40 VA
Duty cycle	30 %
Force of pressure	300 N
Tensile force	300 N
Nominal locking force	2000 N
Service life	> 10000 double strokes
OPEN running speed	12.1 mm/s
CLOSED running speed	11.8 mm/s
Type of protection	IP 32
Temperature range	-5 °C ... +75 °C
Housing	Aluminium
Surface	Powder-coated
Colour	White aluminium ( ~ RAL 9006 )
Connection	2.5 m PVC-cable

## Dimensions



All specifications in mm

## Design

Type	Art. No.	Stroke	Dimension A	Dimension B	Weight	Remark
KA 34/350-K	26.005.10	350 mm	248 mm	560 mm	1.80 kg	
KA 34/500-K	26.005.15	500 mm	323 mm	635 mm	2.10 kg	
KA 34/600-K	26.005.20	600 mm	373 mm	685 mm	2.40 kg	
KA 34/700-K	26.005.25	700 mm	423 mm	735 mm	2.60 kg	
KA 34/800-K	26.005.30	800 mm	473 mm	785 mm	2.80 kg	Observe pressure load diagram!
KA 34/1000-K	26.005.35	1000 mm	577 mm	889 mm	3.20 kg	Observe pressure load diagram!
KA-K	26.005.00					Variable equipment possible