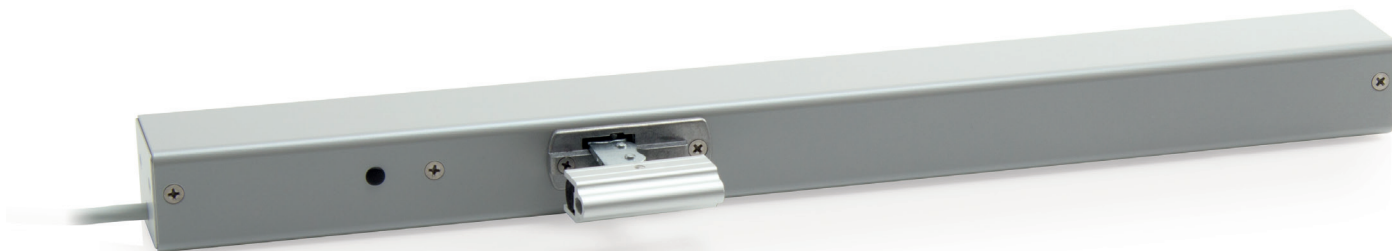


# KA 54 drive



G 503007



B 08 11 22802 026



Find out about permission details from your D+H Partner

## Performance features

- » Can be used for openings for smoke exhaust; D+H Euro SHEV in accordance with EN 12101-2; and for daily ventilation
- » With motor electronics controlled via microprocessor
- » High-speed function (HS) for especially fast opening windows in case of fire (SHEV)
- » Special chain stabilisation
- » Pressure applications up to 600 mm, application tension up to 1000 mm stroke
- » Relief of pressure on window gasket after closing process
- » Programmable drive functions and different drive parameters
- » Running speed in CLOSED direction decreases to 5 mm/s (passive closing edge protection)
- » Time-controlled reversing when an obstacle is detected in the CLOSED direction (active closing edge protection)

## Accessories

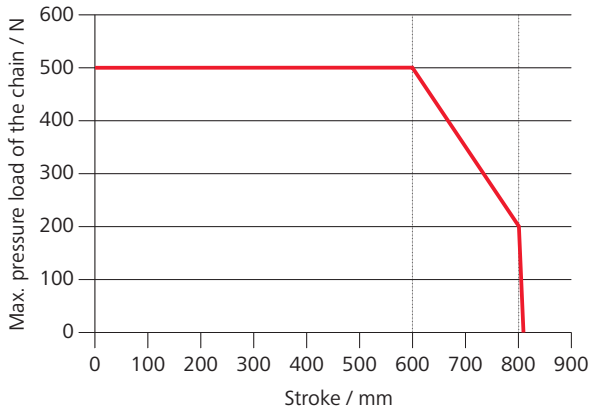
Brackets



Cables



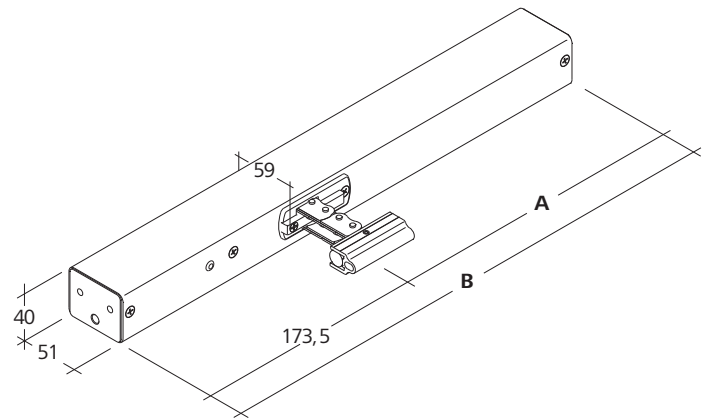
# Pressure load diagram



## Technical data

Supply	24 V DC / ± 15 % / 1.4 A
Duty cycle	30 %
Force of pressure	500 N
Tensile force	500 N
Nominal locking force	2000 N
Service life	> 10000 double strokes
OPEN running speed	11.8 mm/s
OPEN running speed - SHEV	13.3 mm/s
CLOSED running speed	11.8 mm/s
Type of protection	IP 32
Temperature range	-5 °C ... +75 °C
Fire resistance	B300 (30 min/300 °C)
Housing	Aluminium
Surface	Powder-coated
Colour	White aluminium (~ RAL 9006)
Connection	2.5 m silicone-cable

## Dimensions



All specifications in mm

## Design

Type	Art. No.	Stroke	Dimension A	Dimension B	Weight	Remark
KA 54/350	26.001.10	350 mm	247.5 mm	421 mm	1.60 kg	
KA 54/500	26.001.15	500 mm	322.5 mm	496 mm	1.90 kg	
KA 54/600	26.001.20	600 mm	372.5 mm	546 mm	2.20 kg	
KA 54/700	26.001.25	700 mm	422.5 mm	596 mm	2.40 kg	Observe pressure load diagram!
KA 54/800	26.001.30	800 mm	472.5 mm	646 mm	2.60 kg	Observe pressure load diagram!
KA 54/1000	26.001.35	1000 mm	576.5 mm	750 mm	3.00 kg	Observe pressure load diagram!
KA-PLP	26.000.00					Variable equipment possible