

KA 66-TW drive



G 503007



B 08 11 22802 026



Find out about permission details from your D+H Partner

Performance features

- » Can be used for openings for smoke exhaust; D+H Euro SHEV in accordance with EN 12101-2; and for daily ventilation
- » With integrated BSY+ motor and synchronised electronics controlled via microprocessor
- » High-speed function (HS) for especially fast opening windows in case of fire (SHEV)
- » Two drive chains for optimal power application to the sash
- » Special chain stabilisation
- » Relief of pressure on window gasket after closing process
- » Electronic force and position control
- » Programmable drive functions and different drive parameters
- » Running speed in CLOSED direction decreases to 5 mm/s (passive closing edge protection)
- » Time-controlled reversing when an obstacle is detected in the CLOSED direction (active closing edge protection)

Accessories

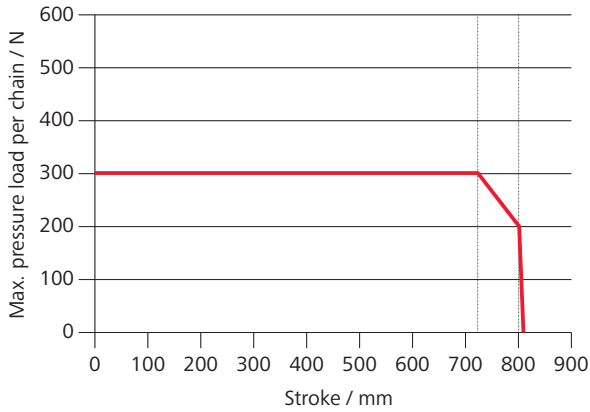
Brackets



Cables



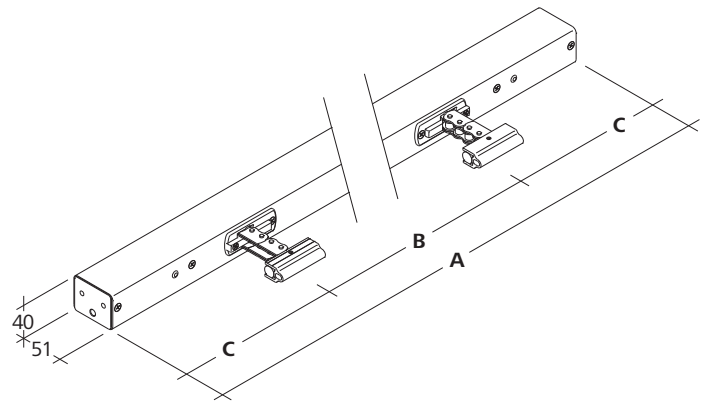
Pressure load diagram



Technical data

Supply	24 V DC / ± 15 % / 2 A
Duty cycle	30 %
Force of pressure	600 N
Tensile force	600 N
Nominal locking force	4000 N
Service life	> 10000 double strokes
OPEN running speed	11.8 mm/s
OPEN running speed - SHEV	12.2 mm/s
CLOSED running speed	11.8 mm/s
Type of protection	IP 32
Temperature range	-5 °C ... +75 °C
Fire resistance	B300 (30 min/300 °C)
Housing	Aluminium
Surface	Powder-coated
Colour	White aluminium (~ RAL 9006)
Connection	2.5 m silicone-cable

Dimensions



All specifications in mm

Design

Type	Art. No.	Stroke	Dimension A	Dimension B	Dimension C	Weight	Remark
KA 66/500-TW065	26.013.20	500 mm	997 mm	650 mm	173.5 mm	4.00 kg	
KA 66/350-TW1	26.013.30	350 mm	1347 mm	1000 mm	173.5 mm	4.00 kg	
KA 66/500-TW1	26.013.40	500 mm	1347 mm	1000 mm	173.5 mm	4.40 kg	
KA 66/600-TW1	26.013.50	600 mm	1347 mm	1000 mm	173.5 mm	5.00 kg	
KA 66/800-TW1	26.013.60	800 mm	1347 mm	1000 mm	173.5 mm	5.60 kg	Observe pressure load diagram!
KA-TW-BSY+	26.013.00						Variable equipment possible