

VCD 204-K drive



Performance features

- » For façade windows, roof windows and ventilation flaps in conservatories
- » With motor electronics controlled via microprocessor
- » Direct control via 230 V AC
- » Special chain stabilisation and centred chain outlet
- » Option of chain stroke programming via magnet
- » Simple connection via plug connector
- » Programmable drive functions and different drive parameters
- » Running speed in CLOSED direction decreases to 5 mm/s (passive closing edge protection)
- » Time-controlled reversing when an obstacle is detected in the CLOSED direction (active closing edge protection)

Accessories

Brackets



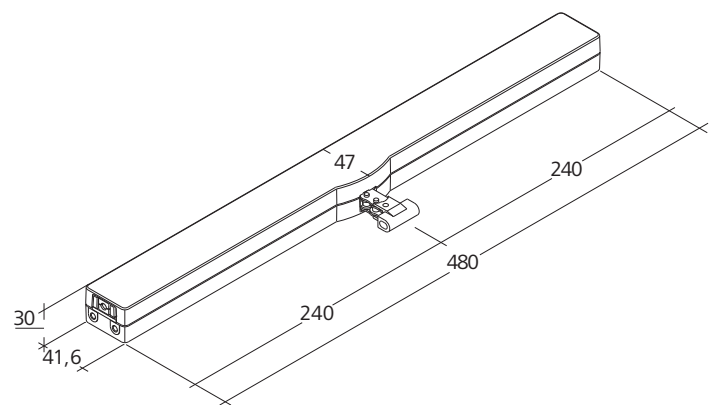
Cables



Technical data

Supply	230 V AC / +10 % ... -15 % / 50 Hz
Performance	10 W / 15 VA
Duty cycle	30 %
Force of pressure	200 N
Tensile force	150 N
Nominal locking force	2000 N
Service life	> 10000 double strokes
OPEN running speed	6 mm/s
CLOSED running speed	6 mm/s
Temperature range	0 °C ... +60 °C
Housing	Die-cast zinc
Surface	Powder-coated
Type of protection	IP 30
Connection	2.5 m PVC-cable
W x H x (D) in mm	480 x 30 x 47
Weight	1.60 kg

Dimensions



All specifications in mm

Design

Type	Art. No.	Stroke	Colour	Remark
VCD 204/250-K (SR)	25.120.05	250 mm	Silver (~ RAL 9006)	
VCD 204/250-K (WH)	25.120.06	250 mm	White (~ RAL 9016)	
VCD 204/250-K (BK)	25.120.07	250 mm	Black (~ RAL 9005)	
VCD 204/350-K (SR)	25.120.10	350 mm	Silver (~ RAL 9006)	
VCD 204/350-K (WH)	25.120.11	350 mm	White (~ RAL 9016)	
VCD 204/350-K (BK)	25.120.12	350 mm	Black (~ RAL 9005)	
VCD 204-K	25.120.00			Variable equipment possible